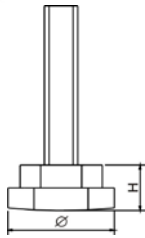
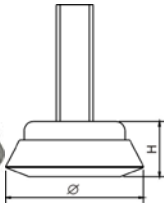


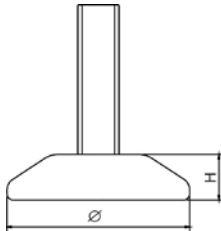
Ножки регулируемые



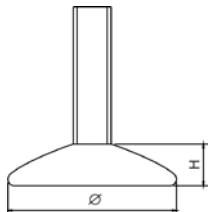
Part No.	Base dia.	H	Stem thread	Colour	Material
110110	1"	3/8"	5/16"-18Sx1"	Nature/Black	Nylon/HDPE
110111	1"	3/8"	5/16"-18Sx1.5"	Nature/Black	Nylon/HDPE
110112	1"	3/8"	5/16"-18Sx2"	Nature/Black	Nylon/HDPE



Part No.	Base dia.	H	Stem thread	Colour	Material
110120	1.14"	1/2"	1/4"-20Sx0.787"	Nature/Black	Nylon/HDPE
110121	1.14"	1/2"	1/4"-20Sx1.5"	Nature/Black	Nylon/HDPE
110122	1.14"	1/2"	M6x20mm	Nature/Black	Nylon/HDPE
110123	1.14"	1/2"	M6x38mm	Nature/Black	Nylon/HDPE

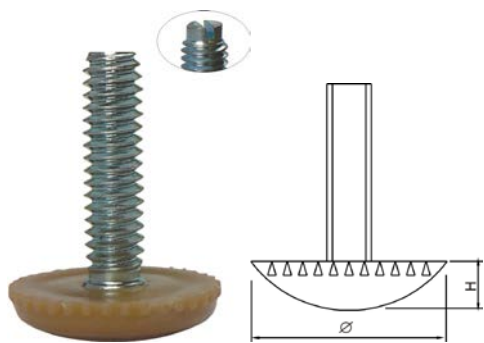


Part No.	Base dia.	H	Stem thread	Colour	Material
110130	1-5/8"	7/16"	5/16"-18Sx1"	Nature/Black	Nylon/HDPE
110131	1-5/8"	7/16"	5/16"-18Sx1.5"	Nature/Black	Nylon/HDPE
110132	1-5/8"	7/16"	3/8"-16Sx1"	Nature/Black	Nylon/HDPE
110133	1-5/8"	7/16"	3/8"-16Sx1.5"	Nature/Black	Nylon/HDPE
110134	28mm	7/16"	1/4"-20Sx7/8"	Nature/Black	Nylon/HDPE
110135	28mm	7/16"	1/4"-20Sx1"	Nature/Black	Nylon/HDPE
110136	28mm	7/16"	5/16"-18Sx7/8"	Nature/Black	Nylon/HDPE
110137	28mm	7/16"	5/16"-18Sx1"	Nature/Black	Nylon/HDPE



Part No.	Base dia.	H	Stem thread	Colour	Material
110140	1-1/2"	19/64"	5/16"-18Sx1"	Nature/Black	Nylon/HDPE
110141	1-1/2"	19/64"	5/16"-18Sx1.5"	Nature/Black	Nylon/HDPE
110142	1-1/2"	19/64"	3/8"-16Sx1"	Nature/Black	Nylon/HDPE
110143	1-1/2"	19/64"	3/8"-16Sx1.5"	Nature/Black	Nylon/HDPE

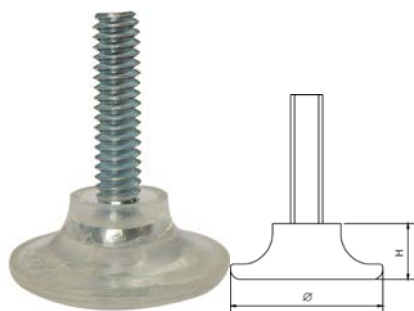
Part No.	Base dia.	H	Stem thread	Colour	Material
110150	3/4"	1/4"	1/4"-20Sx1"	Brown/Black	Nylon/HDPE
110151	3/4"	1/4"	1/4"-20Sx1.5"	Brown/Black	Nylon/HDPE
110152	3/4"	1/4"	1/4"-20Sx2"	Brown/Black	Nylon/HDPE
110153	3/4"	1/4"	M6x25mm	Brown/Black	Nylon/HDPE
110154	3/4"	1/4"	M6x38.1mm	Brown/Black	Nylon/HDPE
110155	3/4"	1/4"	M6x50.8mm	Brown/Black	Nylon/HDPE
110160	7/8"	1/4"	1/4"-20Sx1"	Brown/Black	Nylon/HDPE
110161	7/8"	1/4"	1/4"-20Sx1.5"	Brown/Black	Nylon/HDPE
110162	7/8"	1/4"	1/4"-20Sx2"	Brown/Black	Nylon/HDPE
110163	7/8"	1/4"	M6x25mm	Brown/Black	Nylon/HDPE
110164	7/8"	1/4"	M6x38.1mm	Brown/Black	Nylon/HDPE
110165	7/8"	1/4"	M6x50.8mm	Brown/Black	Nylon/HDPE
110170	1"	1/4"	1/4"-20Sx1"	Brown/Black	Nylon/HDPE
110171	1"	1/4"	1/4"-20Sx1.5"	Brown/Black	Nylon/HDPE
110172	1"	1/4"	1/4"-20Sx2"	Brown/Black	Nylon/HDPE
110173	1"	1/4"	M6x25mm	Brown/Black	Nylon/HDPE
110174	1"	1/4"	M6x38.1mm	Brown/Black	Nylon/HDPE
110175	1"	1/4"	M6x50.8mm	Brown/Black	Nylon/HDPE
110180	1-1/8"	1/4"	1/4"-20Sx1"	Brown/Black	Nylon/HDPE
110181	1-1/8"	1/4"	1/4"-20Sx1.5"	Brown/Black	Nylon/HDPE
110182	1-1/8"	1/4"	1/4"-20Sx2"	Brown/Black	Nylon/HDPE
110183	1-1/8"	1/4"	M6x25mm	Brown/Black	Nylon/HDPE
110184	1-1/8"	1/4"	M6x38.1mm	Brown/Black	Nylon/HDPE
110185	1-1/8"	1/4"	M6x50.8mm	Brown/Black	Nylon/HDPE



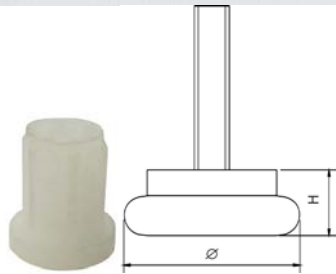
Part No.	Base dia.	H	Stem thread	Colour	Material
110750	1-1/4"	0.4"	3/8"-16Sx1"	Black	TPR
110751	1-1/4"	0.4"	3/8"-16Sx1.5"	Black	TPR
110752	1-1/4"	0.4"	3/8"-16Sx2"	Black	TPR
110753	1-1/4"	0.4"	5/16"-18Sx3/4"	Black	TPR



Part No.	Base dia.	H	Stem thread	Colour	Material
110190	1-1/8"	0.455"	M6x50.8mm	Chear	PC



Part No.	Base dia.	H	Stem thread	Colour	Material
110210	19mm	0.394"	1/4"-20Sx0.25"	Nickel	Steel and HDPE



110211	19mm	0.394"	1/4"-20Sx1"	plated Nickel	Steel and HDPE
110220	22mm	0.394"	1/4"-20Sx0.25"	plated Nickel	Steel and HDPE
110221	22mm	0.394"	1/4"-20Sx1"	plated Nickel	Steel and HDPE
110230	24mm	0.394"	1/4"-20Sx0.25"	plated Nickel	Steel and HDPE
110231	24mm	0.394"	1/4"-20Sx1"	plated Nickel	Steel and HDPE
110232	24mm	0.394"	1/4"-20Sx1.5"	plated Nickel	Steel and HDPE
110233	24mm	0.394"	5/16"-18Sx1"	plated Nickel	Steel and HDPE
110234	24mm	0.394"	5/16"-18Sx1.5"	plated Nickel	Steel and HDPE
110240	27mm	0.394"	1/4"-20Sx0.25"	plated Nickel	Steel and HDPE
110241	27mm	0.394"	1/4"-20Sx1"	plated Nickel	Steel and HDPE
110242	27mm	0.394"	1/4"-20Sx1.5"	plated Nickel	Steel and HDPE
110243	27mm	0.394"	5/16"-18Sx1"	plated Nickel	Steel and HDPE
110244	27mm	0.394"	5/16"-18Sx1.5"	plated Nickel	Steel and HDPE
110250	30mm	0.394"	1/4"-20Sx0.25"	plated Nickel	Steel and HDPE
110251	30mm	0.394"	1/4"-20Sx1"	plated Nickel	Steel and HDPE
110252	30mm	0.394"	1/4"-20Sx1.5"	plated Nickel	Steel and HDPE
110253	30mm	0.394"	5/16"-18Sx1"	plated Nickel	Steel and HDPE
110254	30mm	0.394"	5/16"-18Sx1.5"	plated Nickel	Steel and HDPE



Part No.	Base dia.	H	Stem thread	Colour	Material
110270	27mm	2/5"	1/4"-20Sx1"	plated Nickel	Steel and HDPE
110271	27mm	2/5"	1/4"-20Sx1.5"	plated Nickel	Steel and HDPE
110272	27mm	2/5"	5/16"-18Sx1"	plated Nickel	Steel and HDPE
110273	27mm	2/5"	5/16"-18Sx1.5"	plated Nickel	Steel and HDPE

Part No.	Base dia.	H	Stem thread	Colour	Material
----------	-----------	---	-------------	--------	----------



110280	1-1/4"	0.58"	5/16"-18Sx1"	Zinc plated	Steel and Nylon
110281	1-1/4"	0.58"	5/16"-18Sx1.5"	Zinc plated	Steel and Nylon
110282	1-1/4"	0.58"	5/16"-18Sx2"	Zinc plated	Steel and Nylon
110283	1-1/4"	0.58"	3/8"-16Sx1"	Zinc plated	Steel and Nylon
110284	1-1/4"	0.58"	3/8"-16Sx1.5"	Zinc plated	Steel and Nylon
110285	1-1/4"	0.58"	3/8"-16Sx2"	Zinc plated	Steel and Nylon



Part No.	Base dia.	H	Stem thread	Colour	Material
110790	0.71"	1/4"	3/8"-16Sx1"	Black	Nylon/HDPE
110791	0.71"	1/4"	3/8"-16Sx1.5"	Black	Nylon/HDPE



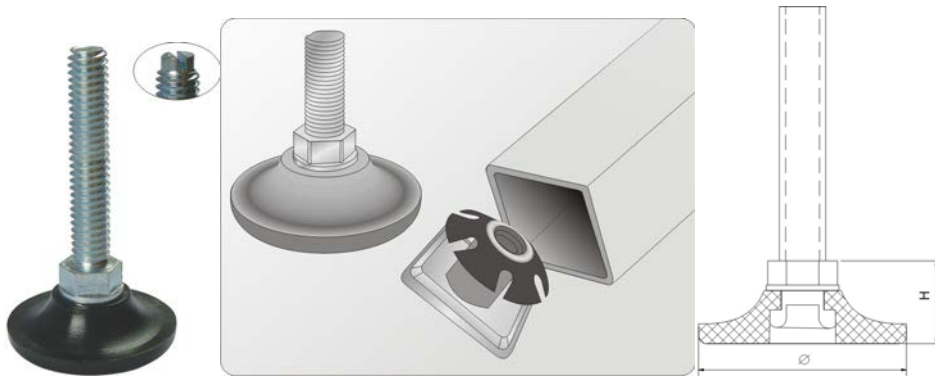
Part No.	Base dia.	H	Stem thread	Colour	Material
110810	2-1/2"	11/16"	3/8"-16Sx1.1"	Black	Nylon
110811	2-1/2"	11/16"	3/8"-16Sx1.424"	Black	Nylon
110812	2-1/2"	11/16"	3/8"-16Sx1.85"	Black	Nylon
110813	2-1/2"	11/16"	3/8"-16Sx3.39"	Black	Nylon



Part No.	Base dia.	H	Stem thread	Colour	Material
110820	2.28"	4/5"	3/8"-16Sx1"	Gray/Black	Nylon
110821	2.28"	4/5"	3/8"-16Sx1.5"	Gray/Black	Nylon
110822	2.28"	4/5"	3/8"-16Sx2"	Gray/Black	Nylon
110823	2.28"	4/5"	3/8"-16Sx3"	Gray/Black	Nylon



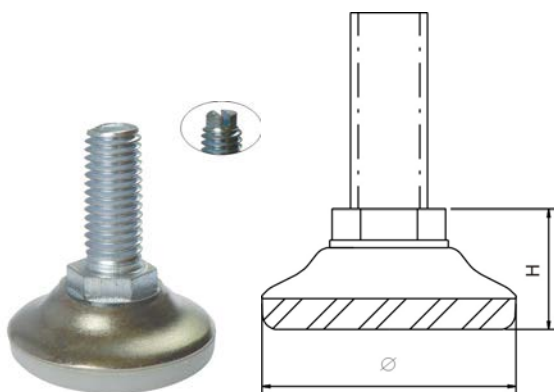
Part No.	Base dia.	H	Stem thread	Colour	Material
110260	1.85"	1"	3/8"-16Sx3"	Brown	Nylon
110261	1.85"	1"	3/8"-16Sx3.5"	Brown	Nylon



Part No.	Base dia.	H	Stem thread	Length of stem thread	Colour	Material		
110310	25.4mm	0.56"	1/4"-20S	1"	1.5"	2"	Nature/Black	Nylon/HDPE
110311		0.638"	5/16"-18S	1"	1.5"	2"	Nature/Black	Nylon/HDPE
110312		14.2mm	M6	25mm	38mm	50mm	Nature/Black	Nylon/HDPE
110313		16.2mm	M8	25mm	38mm	50mm	Nature/Black	Nylon/HDPE
110314	28.5mm	0.49"	1/4"-20S	1"	1.5"	2"	Nature/Black	Nylon/HDPE
110315		0.57"	5/16"-18S	1"	1.5"	2"	Nature/Black	Nylon/HDPE
110316		12.5mm	M6	25mm	38mm	50mm	Nature/Black	Nylon/HDPE
110317		14.5mm	M8	25mm	38mm	50mm	Nature/Black	Nylon/HDPE
110318	32mm	0.57"	1/4"-20S	1"	1.5"	2"	Nature/Black	Nylon/HDPE
110319		0.65"	5/16"-18S	1"	1.5"	2"	Nature/Black	Nylon/HDPE
110320		0.65"	3/8"-16S	1"	1.5"	2"	Nature/Black	Nylon/HDPE
110321		14.5mm	M6	25mm	38mm	50mm	Nature/Black	Nylon/HDPE
110322		16.5mm	M8	25mm	38mm	50mm	Nature/Black	Nylon/HDPE
110323		16.5mm	M10	25mm	38mm	50mm	Nature/Black	Nylon/HDPE
110324	35mm	0.472"	1/4"-20S	1"	1.5"	2"	Nature/Black	Nylon/HDPE
110325		0.472"	5/16"-18S	1"	1.5"	2"	Nature/Black	Nylon/HDPE
110326		0.492"	3/8"-16S	1"	1.5"	2"	Nature/Black	Nylon/HDPE
110327		12mm	M6	25mm	38mm	50mm	Nature/Black	Nylon/HDPE
110328		12mm	M8	25mm	38mm	50mm	Nature/Black	Nylon/HDPE
110329		12.5mm	M10	25mm	38mm	50mm	Nature/Black	Nylon/HDPE
110330	43mm	0.57"	1/4"-20S	1"	1.5"	2"	Nature/Black	Nylon/HDPE
110331		0.65"	5/16"-18S	1"	1.5"	2"	Nature/Black	Nylon/HDPE
110332		0.65"	3/8"-16S	1"	1.5"	2"	Nature/Black	Nylon/HDPE
110333		14.5mm	M6	25mm	38mm	50mm	Nature/Black	Nylon/HDPE
110334		16.5mm	M8	25mm	38mm	50mm	Nature/Black	Nylon/HDPE
110335		16.5mm	M10	25mm	38mm	50mm	Nature/Black	Nylon/HDPE

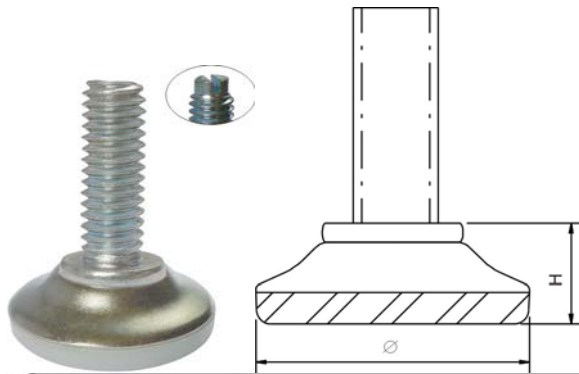


Part No.	Base dia.	H	Stem thread	Length of stem thread			Colour	Material
110350	25.4mm	0.46"	1/4"-20S	1"	1.5"	2"	Nature/Black	Nylon/HDPE
110351		0.46"	5/16"-18S	1"	1.5"	2"	Nature/Black	Nylon/HDPE
110352		11.7mm	M6	25mm	38mm	50mm	Nature/Black	Nylon/HDPE
110353		11.7mm	M8	25mm	38mm	50mm	Nature/Black	Nylon/HDPE
110354	28.5mm	0.393"	1/4"-20S	1"	1.5"	2"	Nature/Black	Nylon/HDPE
110355		0.393"	5/16"-18S	1"	1.5"	2"	Nature/Black	Nylon/HDPE
110356		10mm	M6	25mm	38mm	50mm	Nature/Black	Nylon/HDPE
110357		10mm	M8	25mm	38mm	50mm	Nature/Black	Nylon/HDPE
110358	32mm	0.472"	1/4"-20S	1"	1.5"	2"	Nature/Black	Nylon/HDPE
110359		0.472"	5/16"-18S	1"	1.5"	2"	Nature/Black	Nylon/HDPE
110360		0.492"	3/8"-16S	1"	1.5"	2"	Nature/Black	Nylon/HDPE
110361		12mm	M6	25mm	38mm	50mm	Nature/Black	Nylon/HDPE
110362		12mm	M8	25mm	38mm	50mm	Nature/Black	Nylon/HDPE
110363		12.5mm	M10	25mm	38mm	50mm	Nature/Black	Nylon/HDPE
110364	35mm	0.472"	1/4"-20S	1"	1.5"	2"	Nature/Black	Nylon/HDPE
110365		0.472"	5/16"-18S	1"	1.5"	2"	Nature/Black	Nylon/HDPE
110366		0.492"	3/8"-16S	1"	1.5"	2"	Nature/Black	Nylon/HDPE
110367		12mm	M6	25mm	38mm	50mm	Nature/Black	Nylon/HDPE
110368		12mm	M8	25mm	38mm	50mm	Nature/Black	Nylon/HDPE
110369		12.5mm	M10	25mm	38mm	50mm	Nature/Black	Nylon/HDPE
110370	43mm	0.512"	1/4"-20S	1"	1.5"	2"	Nature/Black	Nylon/HDPE
110371		0.512"	5/16"-18S	1"	1.5"	2"	Nature/Black	Nylon/HDPE
110372		0.531"	3/8"-16S	1"	1.5"	2"	Nature/Black	Nylon/HDPE
110373		13mm	M6	25mm	38mm	50mm	Nature/Black	Nylon/HDPE
110374		13mm	M8	25mm	38mm	50mm	Nature/Black	Nylon/HDPE
110375		13.5mm	M10	25mm	38mm	50mm	Nature/Black	Nylon/HDPE

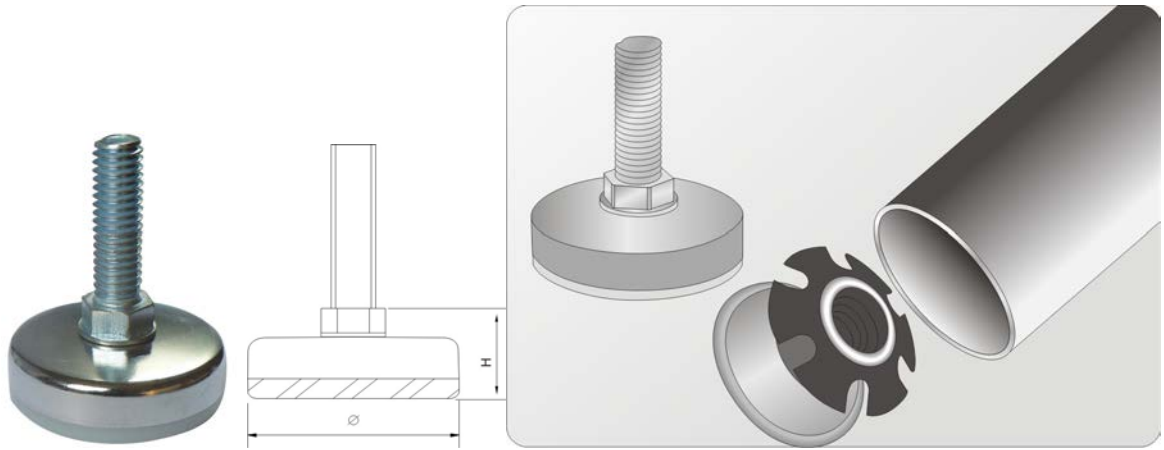




Part No.	Base dia.	H	Stem thread	Length of stem thread			Colour	Material
110510		0.512"	1/4"-20S	1"	1.5"	2"	Nature/Black	Nylon/HDPE
110511	28.5mm	0.59"	5/16"-18S	1"	1.5"	2"	Nature/Black	Nylon/HDPE
110512		13mm	M6	25mm	38mm	50mm	Nature/Black	Nylon/HDPE
110513		15mm	M8	25mm	38mm	50mm	Nature/Black	Nylon/HDPE
110514		0.59"	1/4"-20S	1"	1.5"	2"	Nature/Black	Nylon/HDPE
110515	32mm	0.669"	5/16"-18S	1"	1.5"	2"	Nature/Black	Nylon/HDPE
110516		0.669"	3/8"-16S	1"	1.5"	2"	Nature/Black	Nylon/HDPE
110517		15mm	M6	25mm	38mm	50mm	Nature/Black	Nylon/HDPE
110518		17mm	M8	25mm	38mm	50mm	Nature/Black	Nylon/HDPE
110519		17mm	M10	25mm	38mm	50mm	Nature/Black	Nylon/HDPE
110560		0.63"	1/4"-20S	1"	1.5"	2"	Nature/Black	Nylon/HDPE
110561		0.709"	5/16"-18S	1"	1.5"	2"	Nature/Black	Nylon/HDPE
110562	43mm	0.709"	3/8"-16S	1"	1.5"	2"	Nature/Black	Nylon/HDPE
110563		16mm	M6	25mm	38mm	50mm	Nature/Black	Nylon/HDPE
110564		18mm	M8	25mm	38mm	50mm	Nature/Black	Nylon/HDPE
110565		18mm	M10	25mm	38mm	50mm	Nature/Black	Nylon/HDPE



Part No.	Base dia.	H	Stem thread	Length of stem thread			Colour	Material
110570		0.413"	1/4"-20S	1"	1.5"	2"	Nature/Black	Nylon/HDPE
110571	28.5mm	0.413"	5/16"-18S	1"	1.5"	2"	Nature/Black	Nylon/HDPE
110572		10.5mm	M6	25mm	38mm	50mm	Nature/Black	Nylon/HDPE
110573		10.5mm	M8	25mm	38mm	50mm	Nature/Black	Nylon/HDPE
110574		0.492"	1/4"-20S	1"	1.5"	2"	Nature/Black	Nylon/HDPE
110575	32mm	0.492"	5/16"-18S	1"	1.5"	2"	Nature/Black	Nylon/HDPE
110576		0.512"	3/8"-16S	1"	1.5"	2"	Nature/Black	Nylon/HDPE
110577		12.5mm	M6	25mm	38mm	50mm	Nature/Black	Nylon/HDPE
110578		12.5mm	M8	25mm	38mm	50mm	Nature/Black	Nylon/HDPE
110579		13mm	M10	25mm	38mm	50mm	Nature/Black	Nylon/HDPE
110580		0.531"	1/4"-20S	1"	1.5"	2"	Nature/Black	Nylon/HDPE
110581		0.531"	5/16"-18S	1"	1.5"	2"	Nature/Black	Nylon/HDPE
110582	43mm	0.551"	3/8"-16S	1"	1.5"	2"	Nature/Black	Nylon/HDPE
110583		13.5mm	M6	25mm	38mm	50mm	Nature/Black	Nylon/HDPE
110584		13.5mm	M8	25mm	38mm	50mm	Nature/Black	Nylon/HDPE
110585		14mm	M10	25mm	38mm	50mm	Nature/Black	Nylon/HDPE



Part No.	Base dia.	H	Stem thread	Length of stem thread			Colour	Material
110390		0.49"	1/4"-20S	1"	1.5"	2"	Nature/Black	Nylon/HDPE
110391		0.57"	5/16"-18S	1"	1.5"	2"	Nature/Black	Nylon/HDPE
110392	25.4mm	12.5mm	M6	25mm	38mm	50mm	Nature/Black	Nylon/HDPE
110393		14.5mm	M8	25mm	38mm	50mm	Nature/Black	Nylon/HDPE
110394		0.689"	1/4"-20S	1"	1.5"	2"	Nature/Black	Nylon/HDPE
110395		0.768"	5/16"-18S	1"	1.5"	2"	Nature/Black	Nylon/HDPE
110396	35mm	0.768"	3/8"-16S	25mm	38mm	50mm	Nature/Black	Nylon/HDPE
110397		17.5mm	M6	25mm	38mm	50mm	Nature/Black	Nylon/HDPE
110398		19.5mm	M8	1"	1.5"	2"	Nature/Black	Nylon/HDPE
110399		19.5mm	M10	1"	1.5"	2"	Nature/Black	Nylon/HDPE
110400		0.728"	1/4"-20S	1"	1.5"	2"	Nature/Black	Nylon/HDPE
110401		0.807"	5/16"-18S	25mm	38mm	50mm	Nature/Black	Nylon/HDPE
110402		0.807"	3/8"-16S	25mm	38mm	50mm	Nature/Black	Nylon/HDPE
110403	43mm	0.85"	1/2"-13S	25mm	38mm	50mm	Nature/Black	Nylon/HDPE
110404		18.5mm	M6	1"	1.5"	2"	Nature/Black	Nylon/HDPE
110405		20.5mm	M8	1"	1.5"	2"	Nature/Black	Nylon/HDPE
110406		20.5mm	M10	1"	1.5"	2"	Nature/Black	Nylon/HDPE
110407		21.6mm	M12	25mm	38mm	50mm	Nature/Black	Nylon/HDPE



Part No.	Base dia.	H	Stem thread	Length of stem thread			Colour	Material
110450		0.393"	1/4"-20S	1"	1.5"	2"	Nature/Black	Nylon/HDPE
110451		0.393"	5/16"-18S	1"	1.5"	2"	Nature/Black	Nylon/HDPE
110452	25.4mm	10mm	M6	25mm	38mm	50mm	Nature/Black	Nylon/HDPE
110453		10mm	M8	25mm	38mm	50mm	Nature/Black	Nylon/HDPE
110454		0.59"	1/4"-20S	1"	1.5"	2"	Nature/Black	Nylon/HDPE
110455		0.59"	5/16"-18S	1"	1.5"	2"	Nature/Black	Nylon/HDPE
110456	35mm	0.61"	3/8"-16S	25mm	38mm	50mm	Nature/Black	Nylon/HDPE
110457		15mm	M6	25mm	38mm	50mm	Nature/Black	Nylon/HDPE
110458		15mm	M8	1"	1.5"	2"	Nature/Black	Nylon/HDPE
110459		15.5mm	M10	1"	1.5"	2"	Nature/Black	Nylon/HDPE
110460		0.63"	1/4"-20S	1"	1.5"	2"	Nature/Black	Nylon/HDPE
110461		0.63"	5/16"-18S	25mm	38mm	50mm	Nature/Black	Nylon/HDPE
110462		0.65"	3/8"-16S	25mm	38mm	50mm	Nature/Black	Nylon/HDPE
110463	43mm	0.673"	1/2"-13S	25mm	38mm	50mm	Nature/Black	Nylon/HDPE
110464		16mm	M6	1"	1.5"	2"	Nature/Black	Nylon/HDPE
110465		16mm	M8	1"	1.5"	2"	Nature/Black	Nylon/HDPE
110466		16.5mm	M10	1"	1.5"	2"	Nature/Black	Nylon/HDPE
110467		17mm	M12	25mm	38mm	50mm	Nature/Black	Nylon/HDPE



Part No.	Base dia.	H	Stem thread	Colour	Material
110980	30mm	14mm	M8x25mm	Black/Grey	Nylon/HDPE
110981	30mm	14mm	5/16"-18Sx1"	Black/Grey	Nylon/HDPE



Part No.	Base dia.	H	Stem thread	Colour	Material
111020	50mm	17mm	M8x25mm	Black/Nature	Nylon/HDPE
111021	50mm	17mm	5/16"- 18Sx1"	Black/Nature	Nylon/HDPE



Part No.	Base dia.	H	Stem thread	Colour	Material
110760	1-3/8"	0.7"	5/16"- 18Sx1"	Black/Nature	Nylon/HDPE
110761	1-3/8"	0.7"	M8x25mm	Black/Nature	Nylon/HDPE



Part No.	Base dia.	H	Stem thread	Colour	Material
110770	1-11/16"	0.5"	3/8"- 16Sx1.5"	Black/Nature	Nylon/HDPE
110771	1-11/16"	0.5"	3/8"-16Sx2"	Black/Nature	Nylon/HDPE



Part No.	Base dia.	H	Stem thread	Colour	Material
110800	2-1/2"	0.5"	5/16"-18Sx1"	Black/Nature	Nylon/HDPE
110801	2-1/2"	0.5"	5/16"- 18Sx1.5"	Black/Nature	Nylon/HDPE
110802	2-1/2"	0.5"	18Sx1.5"	Black/Nature	Nylon/HDPE
110803	2-1/2"	0.5"	5/16"-18Sx2"	Black/Nature	Nylon/HDPE
110804	2-1/2"	0.5"	3/8"-16Sx1"	Black/Nature	Nylon/HDPE
110805	2-1/2"	0.5"	3/8"-16Sx1.5"	Black/Nature	Nylon/HDPE
			3/8"-16Sx2"	Black/Nature	Nylon/HDPE



Part No.	Base dia.	H	Stem thread	Colour	Material
110990	40mm	0.5"	5/16"-18Sx1"	Black/Nature	Nylon/HDPE
110991	40mm	0.5"	5/16"- 18Sx1.5"	Black/Nature	Nylon/HDPE
110992	40mm	0.5"	18Sx1.5"	Black/Nature	Nylon/HDPE
110993	40mm	0.5"	5/16"-18Sx2"	Black/Nature	Nylon/HDPE
110994	40mm	0.5"	3/8"-16Sx1"	Black/Nature	Nylon/HDPE
110995	40mm	0.5"	3/8"-16Sx1.5"	Black/Nature	Nylon/HDPE
			3/8"-16Sx2"	Black/Nature	Nylon/HDPE



Part No.	Base dia.	H	Stem thread	Colour	Material
111000	48mm	0.4"	5/16"-18Sx1"	Black/Nature	Nylon/HDPE
111001	48mm	0.4"	18Sx1.5"	Black/Nature	Nylon/HDPE
111002	48mm	0.4"	5/16"-18Sx2"	Black/Nature	Nylon/HDPE
111003	48mm	0.4"	3/8"-16Sx1"	Black/Nature	Nylon/HDPE
111004	48mm	0.4"	3/8"-16Sx1.5"	Black/Nature	Nylon/HDPE
111005	48mm	0.4"	3/8"-16Sx2"	Black/Nature	Nylon/HDPE



Part No.	Base dia.	H	Stem thread	Colour	Material
110290	1-3/8"	0.7"	3/8"-16Sx1"	Nature	Nylon/HDPE
110291	1-3/8"	0.7"	3/8"-16Sx1.5"	Nature	Nylon/HDPE
110292	1-3/8"	0.7"	3/8"-16Sx2"	Nature	Nylon/HDPE
110293	1-3/8"	0.7"	M10x25mm	Nature	Nylon/HDPE
110294	1-3/8"	0.7"	M10x38.1mm	Nature	Nylon/HDPE
110295	1-3/8"	0.7"	M10x50.8mm	Nature	Nylon/HDPE



Part No.	Base dia.	H	Stem thread	Colour	Material
110300	1-3/8"	1/2"	3/8"-16Sx1"	Nature	Nylon/HDPE
110301	1-3/8"	1/2"	3/8"-16Sx1.5"	Nature	Nylon/HDPE
110302	1-3/8"	1/2"	3/8"-16Sx2"	Nature	Nylon/HDPE
110303	1-3/8"	1/2"	M10x25mm	Nature	Nylon/HDPE
110304	1-3/8"	1/2"	M10x38.1mm	Nature	Nylon/HDPE
110305	1-3/8"	1/2"	M10x50.8mm	Nature	Nylon/HDPE
110306	1-3/8"	1/2"	5/16"-18Sx1"	Nature	Nylon/HDPE



Part No.	Base dia.	H	Stem thread	Colour	Material
110830	0.87"	0.15"	3/8"-16Sx 1-1/8"	Zinc plated	Steel
110831	0.87"	0.15"	3/8"-16Sx1-1/2"	Zinc plated	Steel
110832	0.87"	0.15"	3/8"-16Sx2-1/2"	Zinc plated	Steel

Part No.	Base dia.	H	Stem thread	Colour	Material
110970	19mm	1/4"	1/4"-20Sx32mm	Nickel plated	Steel



Part No.	Base dia.	H	Stem thread	Colour	Material
110840	1.386"	0.256"	3/8"-16Sx1.22"	Zinc plated	Steel
110841	1.386"	0.256"	3/8"-16Sx1-83"	Zinc plated	Steel



Part No.	Base dia.	H	Stem thread	Colour	Material
110850	1.18"	0.24"	3/8"-16Sx2.4"	Zinc plated	Steel
110851	1.18"	0.24"	3/8"-16Sx3"	Zinc plated	Steel
110852	1.18"	0.24"	3/8"-16Sx3.5"	Zinc plated	Steel



Part No.	Base dia.	H	Stem thread	Colour	Material
110950	32mm	1 1/4"	M8x38mm	Nickel plated	Steel



Part No.	Base dia.	H	Stem thread	Colour	Material
111030	30mm	5mm	3/8"-16Sx1.5"	Black Zinc plated	Steel



Part No.	Base dia.	H	Stem thread	Colour	Material
110860	1-11/16"	1/4"	3/8"-16Sx2.875"	Black Oxide	Steel
110861	1-11/16"	1/4"	3/8"-16Sx3"	Black Oxide	Steel
110862	1-11/16"	1/4"	3/8"-16Sx3.874"	Black Oxide	Steel



Part No.	Base dia.	H	Stem thread	Colour	Material
----------	-----------	---	-------------	--------	----------



110930	1-3/8"	0.12"	3/8"-16Sx2"	Black Oxide	Steel
110931	1-3/8"	0.12"	3/8"-16Sx3"	Black Oxide	Steel
110932	1-3/8"	0.12"	3/8"-16Sx3.874"	Black Oxide	Steel



Part No.	Base dia.	H	Stem thread	Colour	Material
110940	17mm	1/4"	3/8"-16Sx2"	Zinc plated	Steel
110941	17mm	1/4"	3/8"-16Sx3"	Zinc plated	Steel
110942	17mm	1/4"	3/8"-16Sx3.5"	Zinc plated	Steel



Part No.	Base dia.	H	Stem thread	Colour	Material
111040	40mm	15mm	1/2"-13Sx1"	Black Zinc plated	Steel



Part No.	Base dia.	Stem thread	Colour	Material
111050	1-11/16"	3/8"-16Sx 1-1/4"	Zinc plated	Steel



Part No.	Base dia.	Stem thread	Colour	Material
110870	1-1/8"	1/4"-20Sx0.5"	Nature	Nylon/HDPE
110871	1-1/8"	1/4"-20Sx1"	Nature	Nylon/HDPE
110872	1-1/8"	5/16"-18Sx1"	Nature	Nylon/HDPE
110873	1-1/8"	5/16"-18Sx1.5"	Nature	Nylon/HDPE
110874	1-1/8"	3/8"-16Sx1"	Nature	Nylon/HDPE
110875	1-1/8"	3/8"-16Sx1"	Nature	Nylon/HDPE

Part No.	Base dia.	Stem thread	Colour	Material
110880	1-1/8"	1/4"-20Sx1"	Black	Nylon/HDPE



Part No.	Base dia.	Stem thread	Colour	Material
110890	1-1/2"	3/8"-16Sx1.5"	Nature	Nylon/HDPE
110891	1-1/2"	3/8"-16Sx1"	Nature	Nylon/HDPE
110892	1-1/2"	3/8"-16Sx2.5"	Nature	Nylon/HDPE
110893	1-1/2"	3/8"-16Sx3"	Nature	Nylon/HDPE



Part No.	Base dia.	Stem thread	Colour	Material
110960	26mm	1/4"	Black	Nylon



Part No.	Base dia.	Stem thread	Colour	Material
110920	1-1/8"	1/4"-20Sx0.5"	Nature	Nylon/HDPE
110921	1-1/8"	1/4"-20Sx1"	Nature	Nylon/HDPE



Part No.	Base dia.	Stem thread	Colour	Material
110900	1-1/8"	1/4"-20Sx1"	Nature	Nylon/HDPE
110901	1-1/8"	1/4"-20Sx1.5"	Nature	Nylon/HDPE



Part No.	Base dia.	Stem thread	Colour	Material
111060	30mm	1/4"-20Sx1"	Zinc plated	Steel



Part No.	Base dia.	Stem thread	Colour	Material
110910	1-1/4"	3/8"-16Sx1"	Nature	Nylon/HDPE
110911	1-1/4"	3/8"-16Sx1.5"	Nature	Nylon/HDPE
110912	1-1/4"	3/8"-16Sx2"	Nature	Nylon/HDPE
110913	1-1/4"	5/16"-18Sx1"	Nature	Nylon/HDPE
110914	1-1/4"	5/16"-18Sx1.5"	Nature	Nylon/HDPE
110915	1-1/4"	5/16"-18Sx2"	Nature	Nylon/HDPE